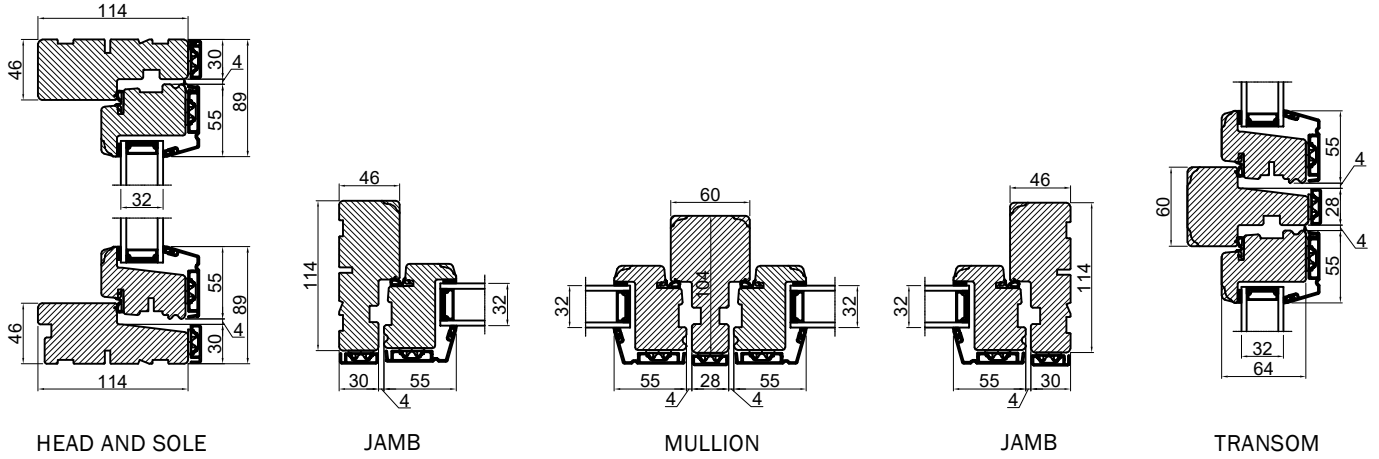
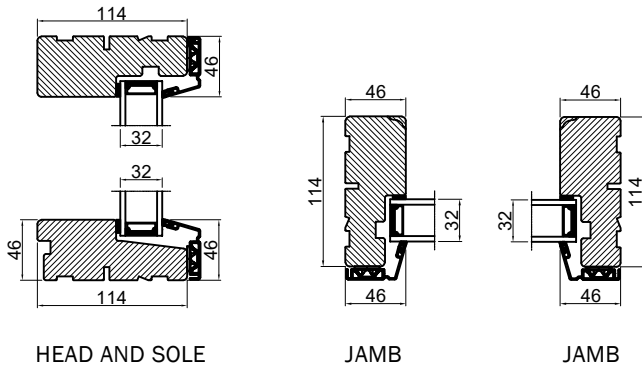


# ALU CLAD TIMBER WINDOWS

## OUTWARD SIDE HUNG WINDOW



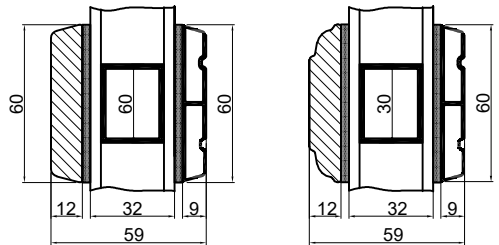
## FIXED FRAME WINDOW



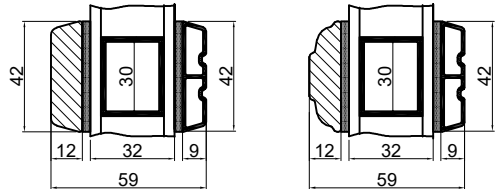
## BONDED BARS

### SOFTLINE

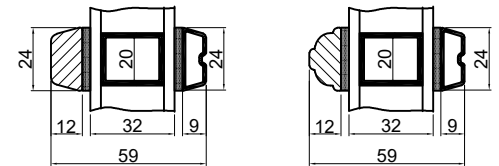
### CLASSIC



### 60MM BONDED BARS

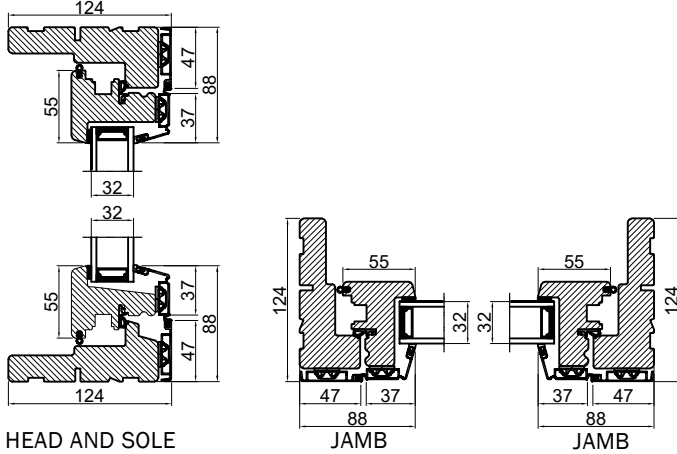


### 42MM BONDED BARS



### 24MM BONDED BARS

## TILT & TURN WINDOW



## CORNER POSTS

